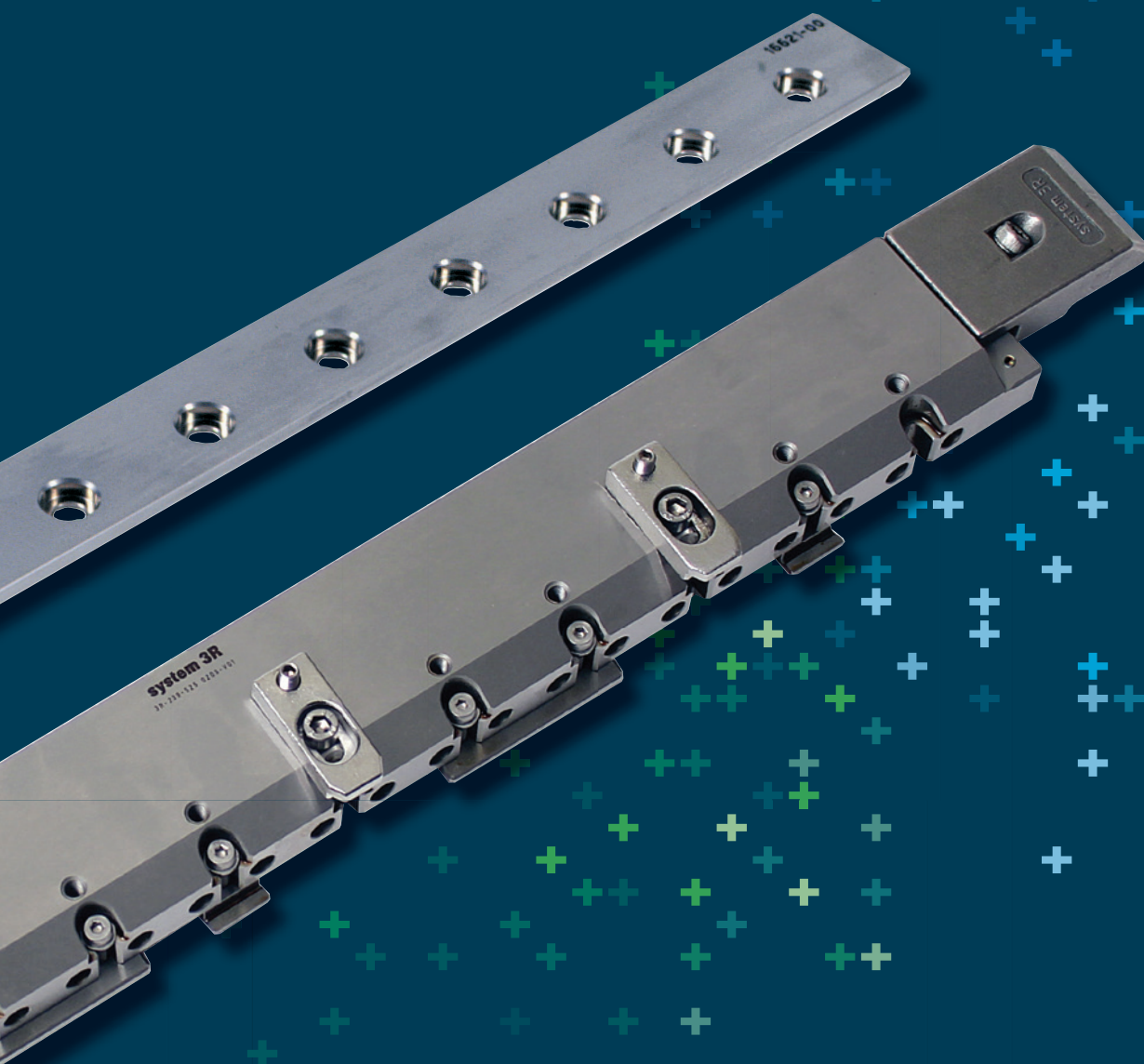


AgieCharmilles wire EDM's + System 3R tooling

Ledger for Reference elements and 3Rulers

Older machines



Note: Older machines

This ledger is only to guide suitable length of reference elements and 3Ruler for specific machine model. Contents for 3Rulers and/or reference elements, see also TPS-sheets covering the range of 3R-200.yyJ-x, 3R-239-xxx and accessories.

Agie

Model	Tooling configuration for X-axis		Tooling configuration for Y-axis		MIC-xxxx	
	Ref. element	3R-239-xxx	Ref. element	3R-239-xxx		
Attak	3R-200.5J-STD	425	3R-200.5J-STD	325	2923	Page: 4
Celebration 2 (Parallel)	3R-200.5J-STD	425	-	-	2922	Page: 5
Celebration 2 (Square)	3R-200.5J-STD	425	3R-200.5J-STD	325	2923	Page: 4
Challenge 2 (Parallel)	3R-200.5J-STD	425	-	-	2922	Page: 5
Challenge 2 (Square)	3R-200.5J-STD	425	3R-200.5J-STD	325	2923	Page: 4
Challenge 3 (Parallel)	3R-200.6J-STD	575	-	-	2924	Page: 6
Challenge 3 (Square)	3R-200.6J-STD	575	3R-200.7J-STD	425	2925	Page: 7
Classic 2 (Parallel)	3R-200.5J-STD	425	-	-	2922	Page: 5
Classic 2 (Square)	3R-200.5J-STD	425	3R-200.5J-STD	325	2923	Page: 4
Classic 3 (Parallel)	3R-200.6J-STD	575	-	-	2924	Page: 6
Classic 3 (Square)	3R-200.6J-STD	575	3R-200.7J-STD	425	2925	Page: 7
Evolution 2 (Parallel)	3R-200.5J-STD	425	-	-	2922	Page: 5
Evolution 2 (Square)	3R-200.5J-STD	425	3R-200.5J-STD	325	2923	Page: 4
Evolution 3 (Parallel)	3R-200.6J-STD	575	-	-	2924	Page: 6
Evolution 3 (Square)	3R-200.6J-STD	575	3R-200.7J-STD	425	2925	Page: 7
Excellence 2 (Parallel)	3R-200.5J-STD	425	-	-	2922	Page: 5
Excellence 2 (Square)	3R-200.5J-STD	425	3R-200.5J-STD	325	2923	Page: 4
Excellence 3 (Parallel)	3R-200.6J-STD	575	-	-	2924	Page: 6
Excellence 3 (Square)	3R-200.6J-STD	575	3R-200.7J-STD	425	2925	Page: 7
Progress 2	3R-200.5J-STD	425	3R-200.5J-STD	325	2923	Page: 4
Progress 3	3R-200.6J-STD	575	3R-200.7J-STD	425	2925	Page: 7

AgieCharmilles

Model	Tooling configuration for X-axis		Tooling configuration for Y-axis		MIC-xxxx	
	Ref. element	3R-239-xxx	Ref. element	3R-239-xxx		
Progress VP2 (yr2014-2021)	3R-200.5J-STD	425	3R-200.5J-71	330	2812	Page: 8
Progress VP3 (yr2014-2021)	3R-200.6J-STD	575	3R-200.5J-2	435	2813	Page: 9
Progress VP4 (yr2014-2021)	3R-200.3J-STD	875.86	3R-200.5J-STD + 3R-200.6J-STD	625*	2814	Page: 10

* 3Ruler is supplied by article no.: K-30692

Charmilles

Model	Tooling configuration for X-axis		Tooling configuration for Y-axis		MIC-xxxx	
	Ref. element	3R-239-xxx	Ref. element	3R-239-xxx		
RoboFil 230	3R-200.3J-1	415	3R-200.3J-1	295	2886	Page: 11
RoboFil 240	3R-200.3J-1	415	3R-200.3J-1	295	2886	Page: 11
RoboFil 240cc	3R-200.3J-1	415	3R-200.3J-1	295	2886	Page: 11
RoboFil 290	3R-200.11J-7	520	3R-200.12J-7	N.a.	2892	Page: 12
RoboFil 300	3R-200.11J-7	520	3R-200.12J-7	N.a.	2892	Page: 12
RoboFil 304	3R-200.11J-7	520	3R-200.12J-7	N.a.	2892	Page: 12
RoboFil 310	3R-200.11J-7	520	3R-200.12J-7	N.a.	2892	Page: 12
RoboFil 330	3R-200.13J-7	445	3R-200.13J-7	355*	2889	Page: 13
RoboFil 380	3R-200.44J-1	520	3R-200.44J-1	420	2888	Page: 14
RoboFil 390	3R-200.44J-1	520	3R-200.44J-1	420	2888	Page: 14
RoboFil 430	3R-200.44J-1	615	3R-200.6J-1	415	2890	Page: 15
RoboFil 440	3R-200.44J-1	615	3R-200.6J-1	415	2890	Page: 15
RoboFil 500	3R-200.12J-7	820	3R-200.11J-7 + 3R-200.12J-7	N.a.	2891	Page: 16
RoboFil 504	3R-200.12J-7	820	3R-200.11J-7 + 3R-200.12J-7	N.a.	2891	Page: 16
RoboFil 510	3R-200.12J-7	820	3R-200.11J-7 + 3R-200.12J-7	N.a.	2891	Page: 16
RoboFil 640	3R-200.3J-1 + 3R-200.4J-1	915.86	3R-200.4J-1 + 3R-200.6J-1	730.86	2944	Page: 17
RoboFil 690	3R-200.3J-1 + 3R-200.4J-1	915.86	3R-200.4J-1 + 3R-200.6J-1	730.86	2887	Page: 18
RoboFil 690cc	3R-200.3J-1 + 3R-200.4J-1	915.86	3R-200.4J-1 + 3R-200.6J-1	730.86	2887	Page: 18
RoboFil 2050	3R-200.3J-2	385	3R-200.3J-2	N.a.	2893	Page: 19
RoboFil 6040	3R-200.4J-2	695.86	3R-200.3J-2 + 3R-200.29J-2	N.a.	2894	Page: 20
RoboFil 6050	3R-200.4J-2	695.86	3R-200.3J-2 + 3R-200.29J-2	N.a.	2894	Page: 20

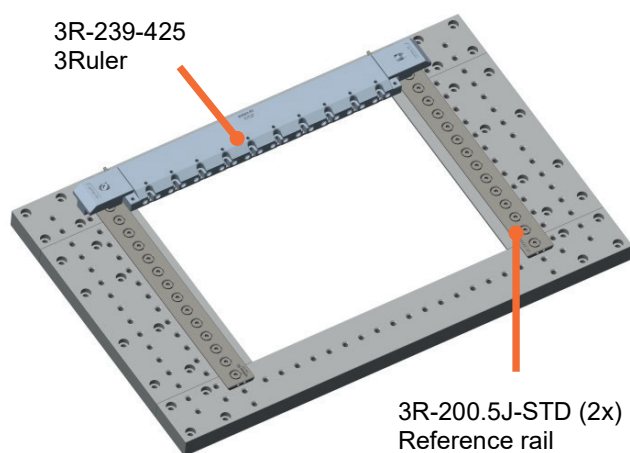
* 3Ruler is supplied by article no.: K-30537

MIC – Machine Interface Configuration

December 19, 2019

Subject to modifications
MIC-2923

AgieCut – Attak, Challenge2, Classic2, Evolution2, Excellence2, Progress2 (Square shape)



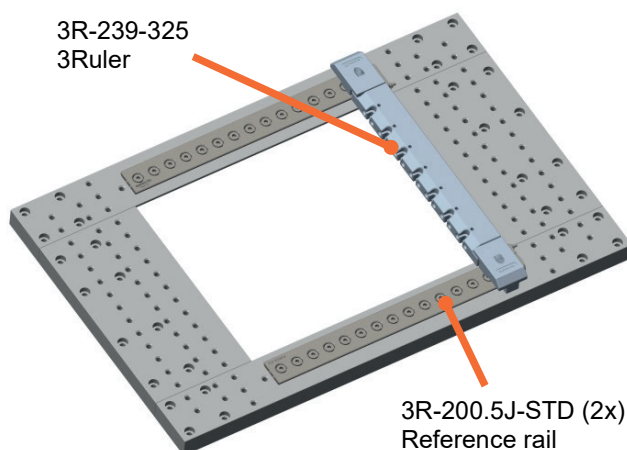
Machine table without tooling

Working area:
X: 350 mm
Y: 250 mm

Horizontal configuration

This configuration display one 3Ruler, but two cross bars may be used.

Working area:
X: 350 mm
Y: 250 mm



Vertical configuration

This configuration display one 3Ruler, but two cross bars may be used.

Working area:
X: 320 mm
Y: 250 mm

See also TPS-sheet "3R-239-xxx" covering 3Ruler and recommended accessories.

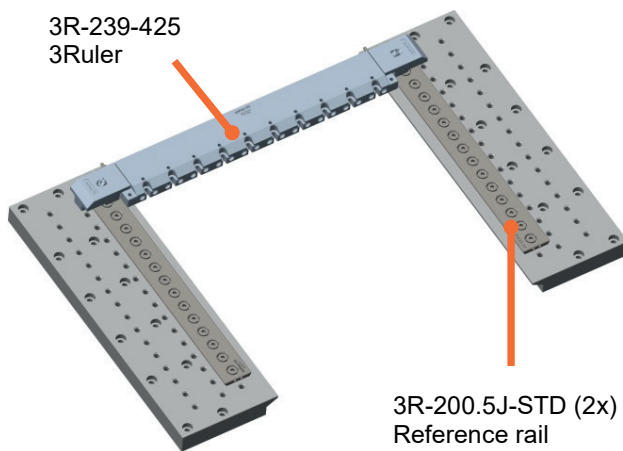
Note: The reference rail also enables the use of other products like: 3R-218-S, 3R-243.2-1 or 3R-272HP.

MIC – Machine Interface Configuration

December 19, 2019

Subject to modifications
MIC-2922

AgieCut – Challenge2, Classic2, Evolution2, Excellence2, (Parallel table)



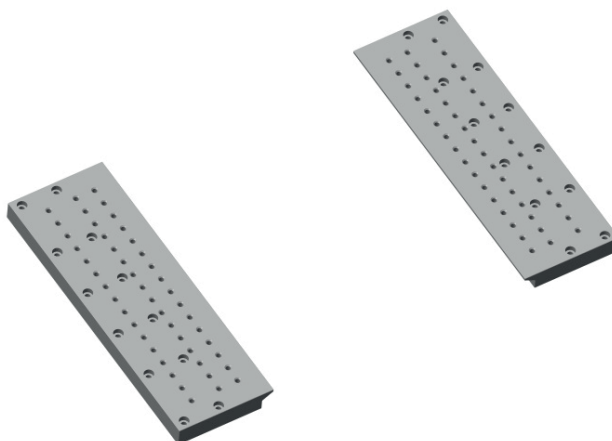
Machine table without tooling

Working area:
X: 350 mm
Y: 250 mm

Horizontal configuration

This configuration display one 3Ruler, but two cross bars may be used.

Working area:
X: 350 mm
Y: 220 mm



Vertical configuration

Parallel table configuration does not support 3Ruler by vertical set-up.

Working area:
X: 350 mm
Y: 250 mm

See also TPS-sheet “3R-239-xxx” covering 3Ruler and recommended accessories.

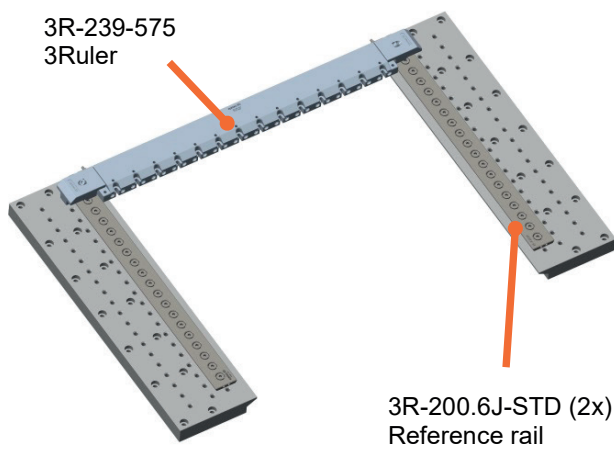
Note: The reference rail also enables the use of other products like: 3R-218-S, 3R-243.2-1 or 3R-272HP.

MIC – Machine Interface Configuration

December 19, 2019

Subject to modifications
MIC-2924

AgieCut – Challenge 3, Classic3, Evolution3, Excellence3, (Parallel table)

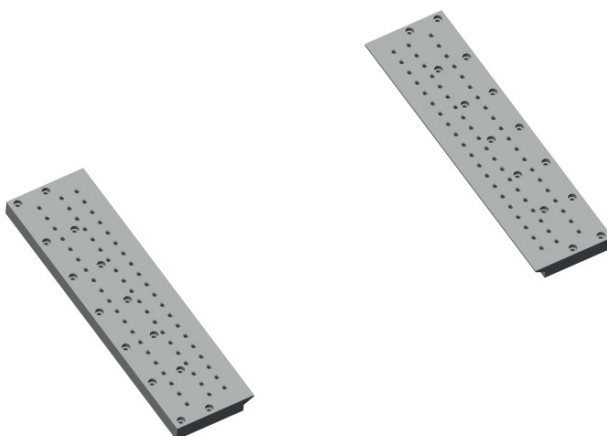


Machine table without tooling
Working area:
X: 500 mm
Y: 350 mm

Horizontal configuration

This configuration display one 3Ruler,
but two cross bars may be used.

Working area:
X: 500 mm
Y: 350 mm



Vertical configuration

Parallel table configuration does not
support 3Ruler by vertical set-up.

Working area:
X: 500 mm
Y: 350 mm

See also TPS-sheet “3R-239-xxx” covering
3Ruler and recommended accessories.

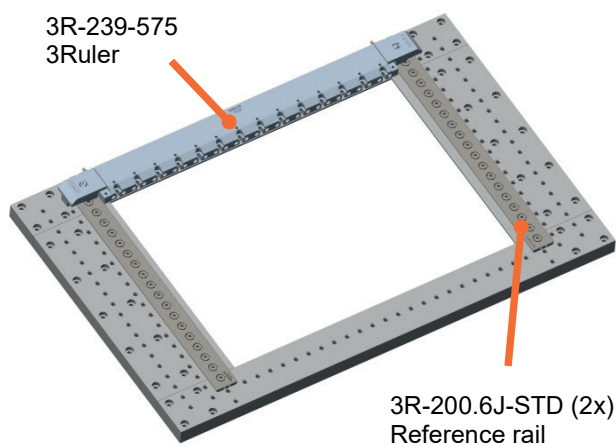
Note: The reference rail also enables the
use of other products like: 3R-218-S,
3R-243.2-1 or 3R-272HP.

MIC – Machine Interface Configuration

December 19, 2019

Subject to modifications
MIC-2925

AgieCut – Challenge3, Classic3, Evolution3, Excellence3, Progress3 (Square shape)



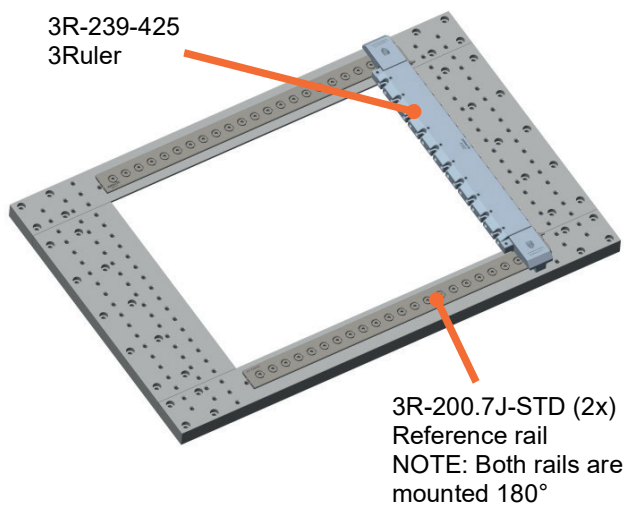
Machine table without tooling

Working area:
X: 500 mm
Y: 350 mm

Horizontal configuration

This configuration display one 3Ruler, but two cross bars may be used.

Working area:
X: 500 mm
Y: 350 mm



Vertical configuration

This configuration display one 3Ruler, but two cross bars may be used.

Working area:
X: 500 mm
Y: 337 mm

See also TPS-sheet "3R-239-xxx" covering 3Ruler and recommended accessories.

Note: The reference rail also enables the use of other products like: 3R-218-S, 3R-243.2-1 or 3R-272HP.

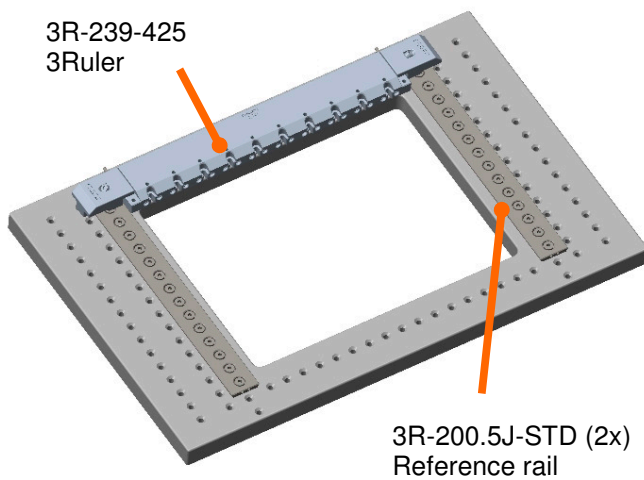
MIC – Machine Interface Configuration

November 11, 2018

Subject to modifications
MIC-2812

AgieCharmilles – PROGRESS VP2

Configuration of table is valid year 2014 and later.



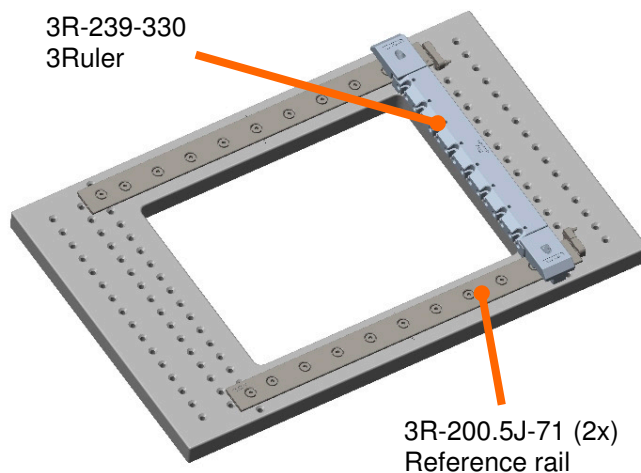
Machine table without tooling

Working area:
X: 350 mm
Y: 250 mm

Horizontal configuration

This configuration display one 3Ruler, but two cross bars may be used.

Working area:
X: 350 mm
Y: 250 mm



Vertical configuration

This configuration display one 3Ruler, but two cross bars may be used.

Working area:
X: 350 mm
Y: 250 mm

See also TPS-sheet "3R-239-xxx" covering 3Ruler and recommended accessories.

Note: The reference rail also enables the use of other products like: 3R-218-S, 3R-243.2-1 or 3R-272HP.

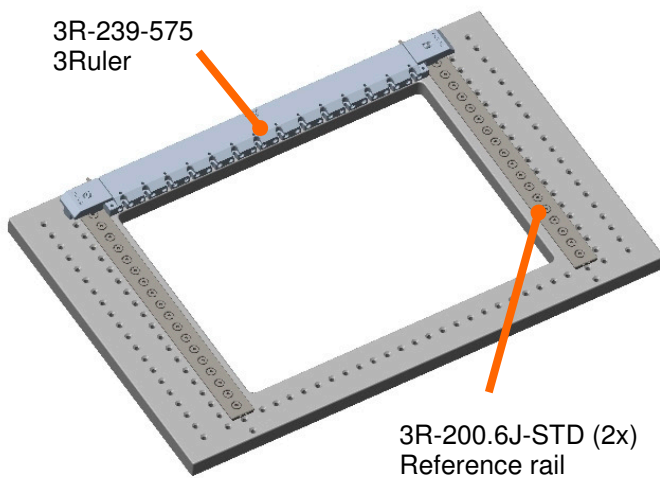
MIC – Machine Interface Configuration

November 11, 2018

Subject to modifications
MIC-2813

AgieCharmilles – PROGRESS VP3

Configuration of table is valid year 2014 and later.



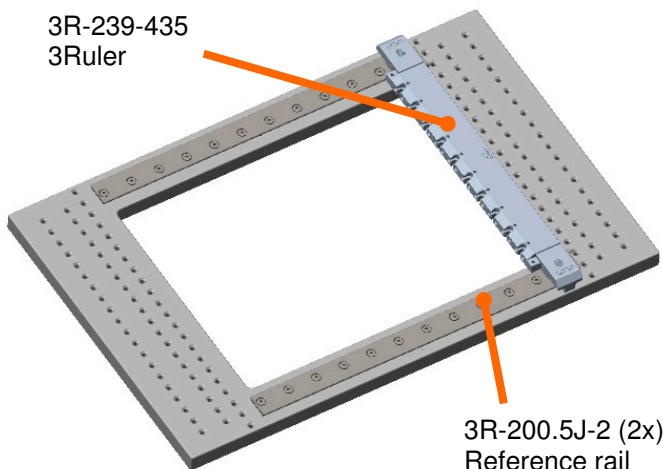
Machine table without tooling

Working area:
X: 500 mm
Y: 350 mm

Horizontal configuration

This configuration display one 3Ruler, but two cross bars may be used.

Working area:
X: 500 mm
Y: 350 mm



Vertical configuration

This configuration display one 3Ruler, but two cross bars may be used.

Working area:
X: 475 mm
Y: 350 mm

See also TPS-sheet “3R-239-xxx” covering 3Ruler and recommended accessories.

Note: The reference rail also enables the use of other products like: 3R-218-S, 3R-243.2-1 or 3R-272HP.

System 3R

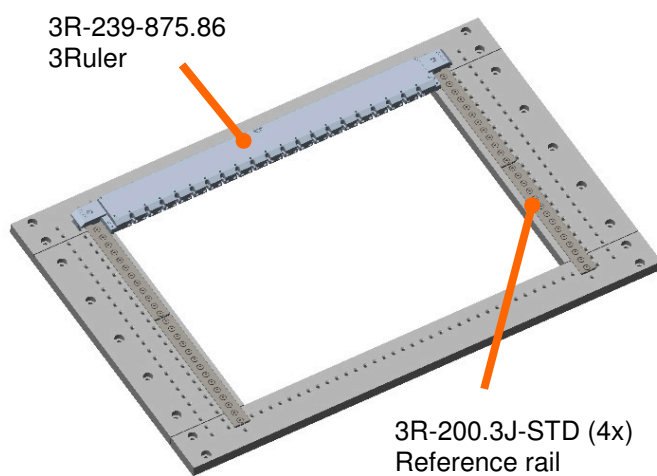
MIC – Machine Interface Configuration

September 13, 2018

Subject to modifications
MIC-2814

AgieCharmilles – PROGRESS VP4

Configuration of table is valid year 2014 and later.



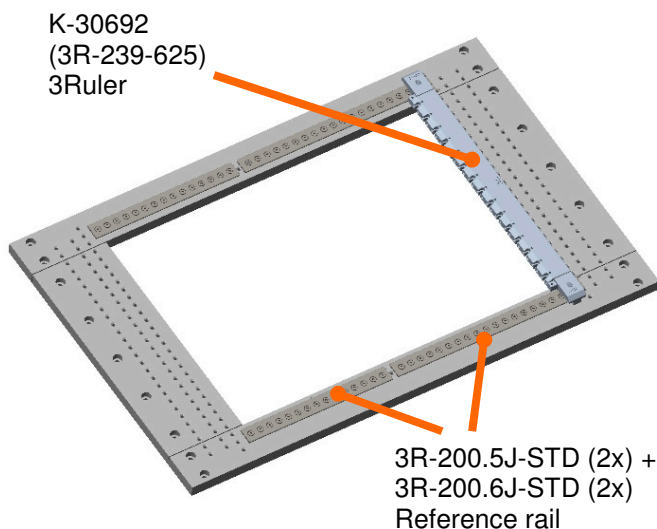
Horizontal configuration

This configuration display one 3Ruler, but two cross bars may be used.

Working area:

X: 800 mm

Y: 550 mm



Vertical configuration

This configuration display one 3Ruler, but two cross bars may be used.

See also TPS-sheet "3R-239-xxx" covering 3Ruler and recommended accessories.

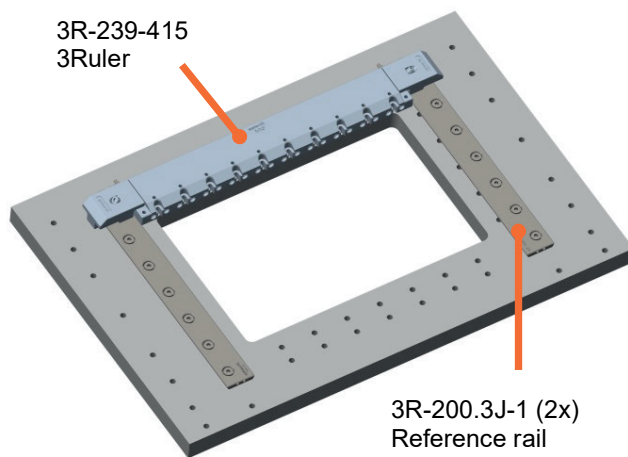
Note: The reference rail also enables the use of other products like: 3R-218-S, 3R-243.2-1 or 3R-272HP.

MIC – Machine Interface Configuration

April 23, 2019

Subject to modifications
MIC-2886

Charmilles – RoboFil 230, 240cc



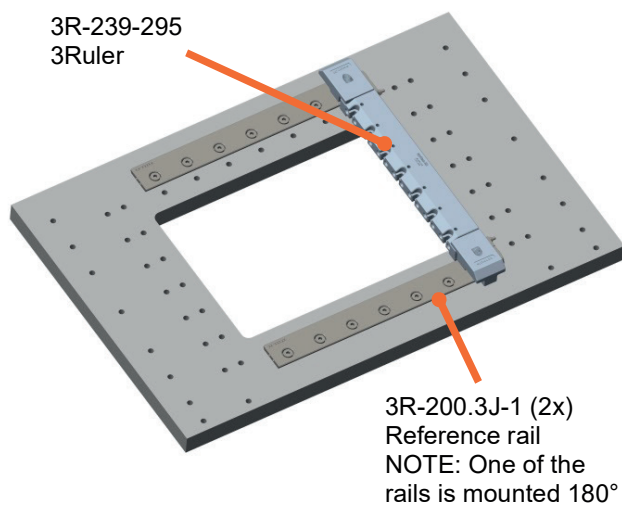
Machine table without tooling

Working area:
X: 350 mm
Y: 220 mm

Horizontal configuration

This configuration display one 3Ruler,
but two cross bars may be used.

Working area:
X: 350 mm
Y: 220 mm



Vertical configuration

This configuration display one 3Ruler,
but two cross bars may be used.

Working area:
X: 302 mm
Y: 220 mm

See also TPS-sheet "3R-239-xxx" covering
3Ruler and recommended accessories.

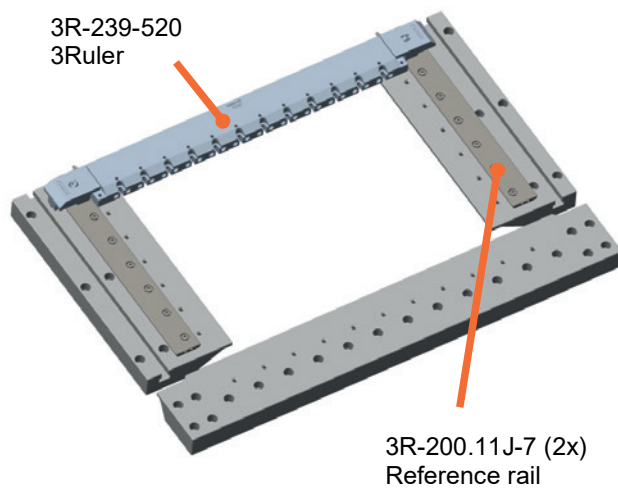
Note: The reference rail also enables the
use of other products like: 3R-218-S,
3R-243.2-1 or 3R-272HP.

MIC – Machine Interface Configuration

May 13, 2019

Subject to modifications
MIC-2892

Charmilles – RoboFil 290, 300, 304, 310



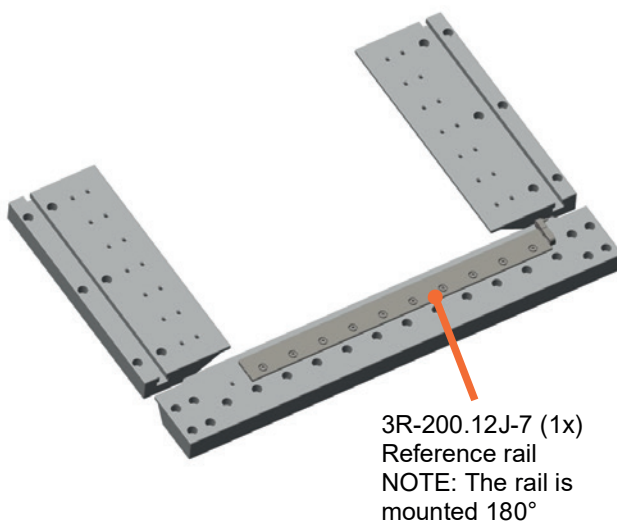
Machine table without tooling

Working area:
X: 400 mm
Y: 250 mm

Horizontal configuration

This configuration display one 3Ruler, but two cross bars may be used.

Working area:
X: 400 mm
Y: 250 mm



Vertical configuration

This U-shaped machine-table, does not support 3Ruler.

Working area:
X: 400 mm
Y: 250 mm

See also TPS-sheet "3R-239-xxx" covering 3Ruler and recommended accessories.

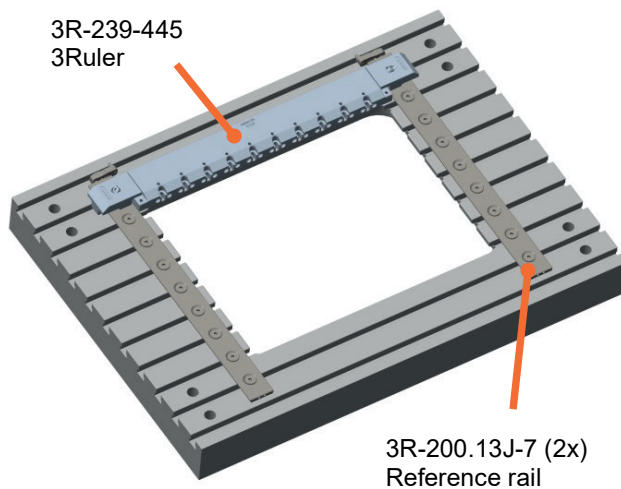
Note: The reference rail also enables the use of other products like: 3R-218-S, 3R-243.2-1 or 3R-272HP.

MIC – Machine Interface Configuration

May 10, 2019

Subject to modifications
MIC-2889

Charmilles – RoboFil 330



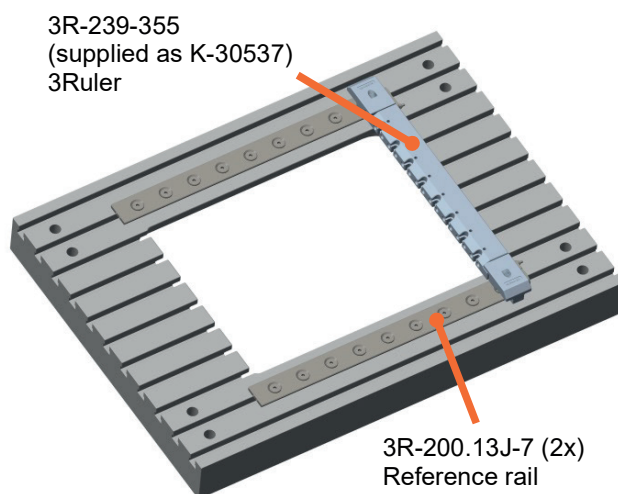
Machine table without tooling

Working area:
X: 400 mm
Y: 300 mm

Horizontal configuration

This configuration display one 3Ruler, but two cross bars may be used.

Working area:
X: 400 mm
Y: 300 mm



Vertical configuration

This configuration display one 3Ruler, but two cross bars may be used.

Working area:
X: 390 mm
Y: 300 mm

See also TPS-sheet "3R-239-xxx" covering 3Ruler and recommended accessories.

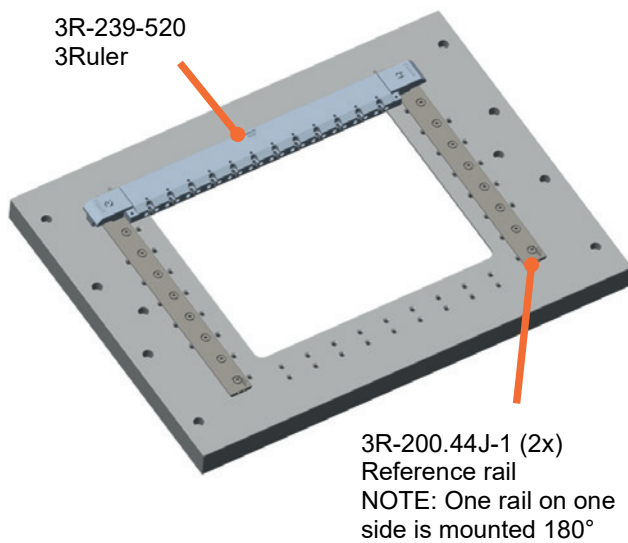
Note: The reference rail also enables the use of other products like: 3R-218-S, 3R-243.2-1 or 3R-272HP.

MIC – Machine Interface Configuration

May 13, 2019

Subject to modifications
MIC-2888

Charmilles – RoboFil 380, 390

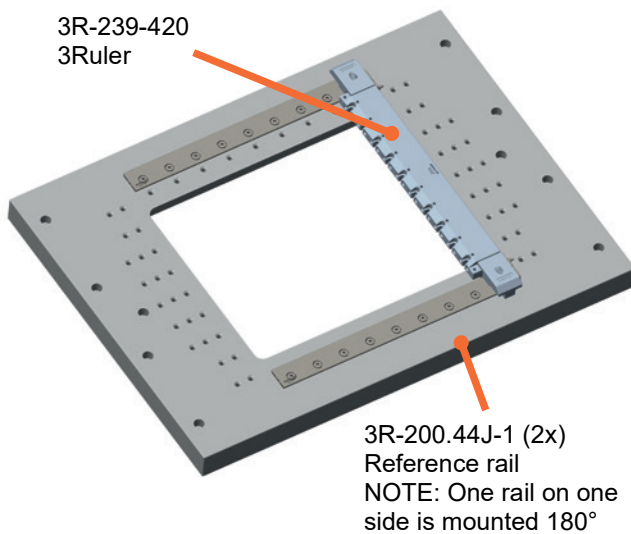


Machine table without tooling
Working area:
X: 400 mm
Y: 300 mm

Horizontal configuration

This configuration display one 3Ruler,
but two cross bars may be used.

Working area:
X: 400 mm
Y: 312 mm



Vertical configuration

This configuration display one 3Ruler,
but two cross bars may be used.

Working area:
X: 362 mm
Y: 300 mm

See also TPS-sheet “3R-239-xxx” covering
3Ruler and recommended accessories.

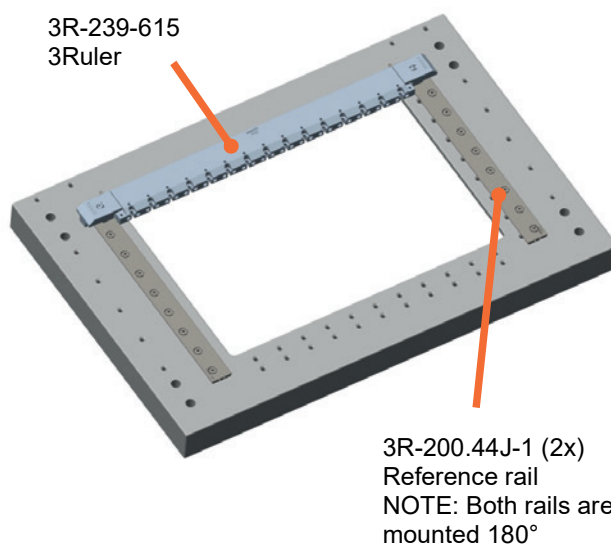
Note: The reference rail also enables the
use of other products like: 3R-218-S,
3R-243.2-1 or 3R-272HP.

MIC – Machine Interface Configuration

May 13, 2019

Subject to modifications
MIC-2890

Charmilles – RoboFil 430, 440

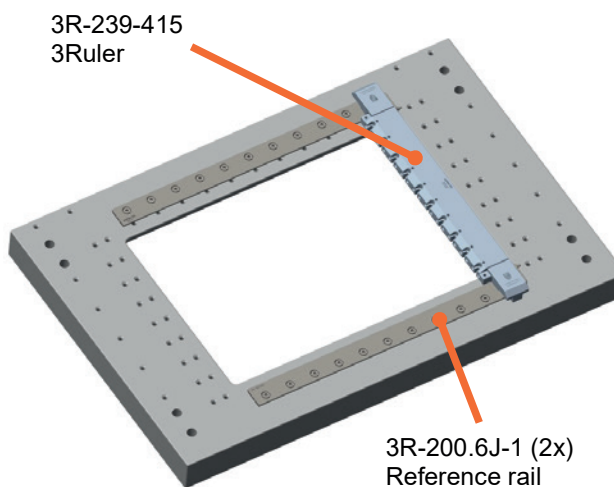


Machine table without tooling
Working area:
X: 550 mm
Y: 350 mm

Horizontal configuration

This configuration display one 3Ruler, but two cross bars may be used.

Working area:
X: 550 mm
Y: 337 mm



Vertical configuration

This configuration display one 3Ruler, but two cross bars may be used.

Working area:
X: 487 mm
Y: 350 mm

See also TPS-sheet “3R-239-xxx” covering 3Ruler and recommended accessories.

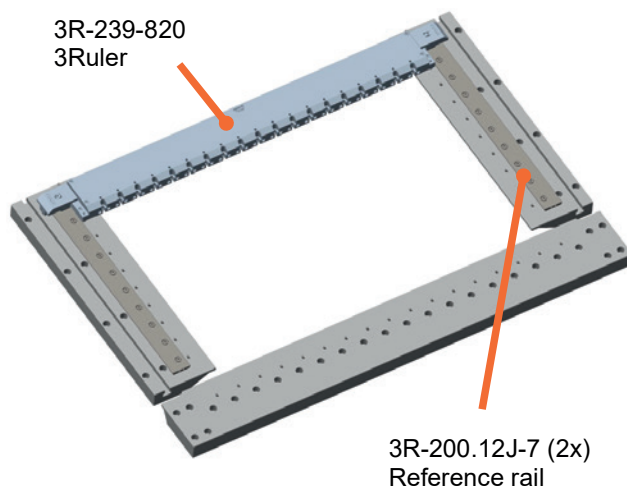
Note: The reference rail also enables the use of other products like: 3R-218-S, 3R-243.2-1 or 3R-272HP.

MIC – Machine Interface Configuration

May 13, 2019

Subject to modifications
MIC-2891

Charmilles – RoboFil 500, 504, 510



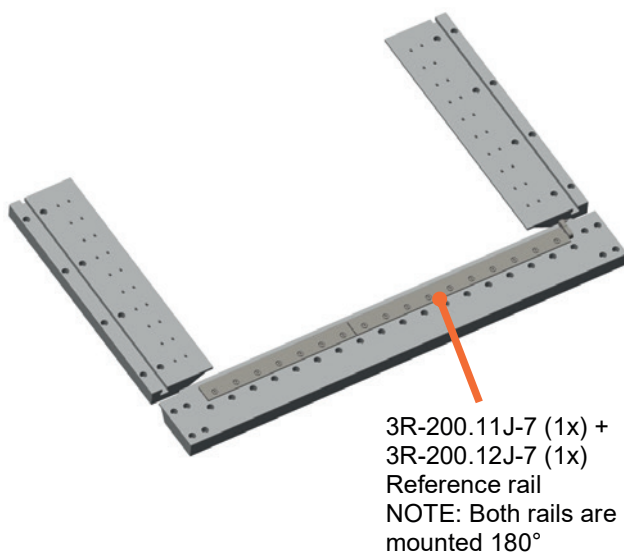
Machine table without tooling

Working area:
X: 700 mm
Y: 400 mm

Horizontal configuration

This configuration display one 3Ruler, but two cross bars may be used.

Working area:
X: 700 mm
Y: 400 mm



Vertical configuration

This U-shaped machine-table, does not support 3Ruler.

Working area:
X: 700 mm
Y: 400 mm

See also TPS-sheet "3R-239-xxx" covering 3Ruler and recommended accessories.

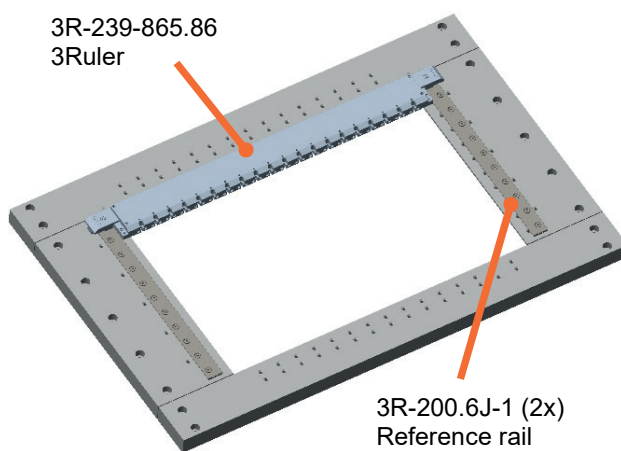
Note: The reference rail also enables the use of other products like: 3R-218-S, 3R-243.2-1 or 3R-272HP.

MIC – Machine Interface Configuration

February 22, 2021

Subject to modifications
MIC-2944

Charmilles – RoboFil 640



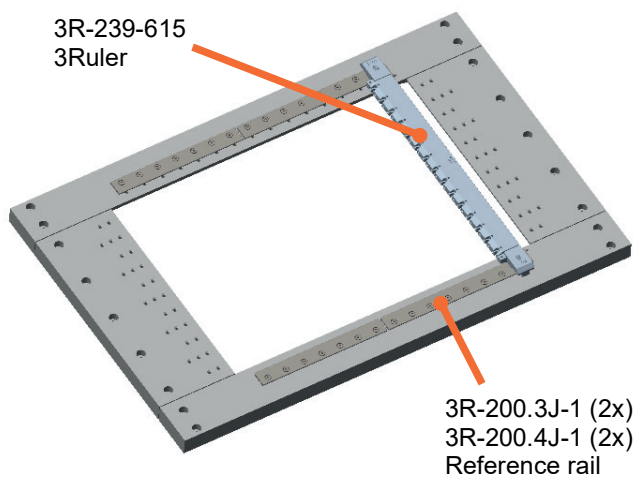
Machine table without tooling

Working area:
X: 800 mm
Y: 550 mm

Horizontal configuration

This configuration display one 3Ruler,
but two cross bars may be used.

Working area:
X: 800 mm
Y: 461 mm



Vertical configuration

This configuration display one 3Ruler,
but two cross bars may be used.

Working area:
X: 712 mm
Y: 550 mm

See also TPS-sheet "3R-239-xxx" covering
3Ruler and recommended accessories.

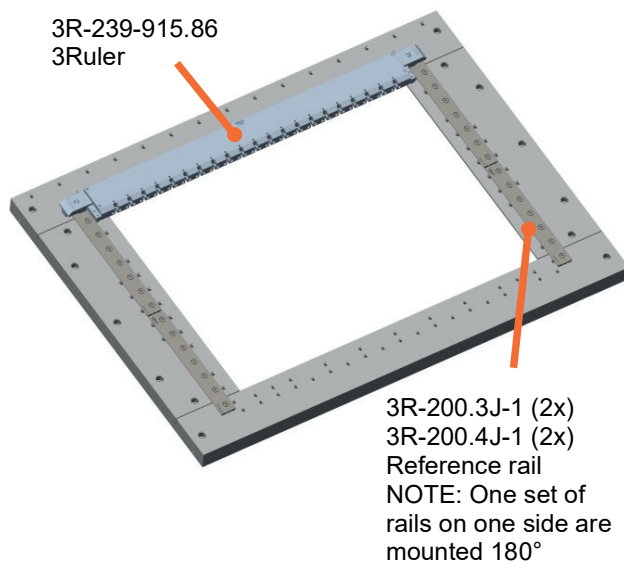
Note: The reference rail also enables the
use of other products like: 3R-218-S,
3R-243.2-1 or 3R-272HP.

MIC – Machine Interface Configuration

April 23, 2019

Subject to modifications
MIC-2887

Charmilles – RoboFil 690cc



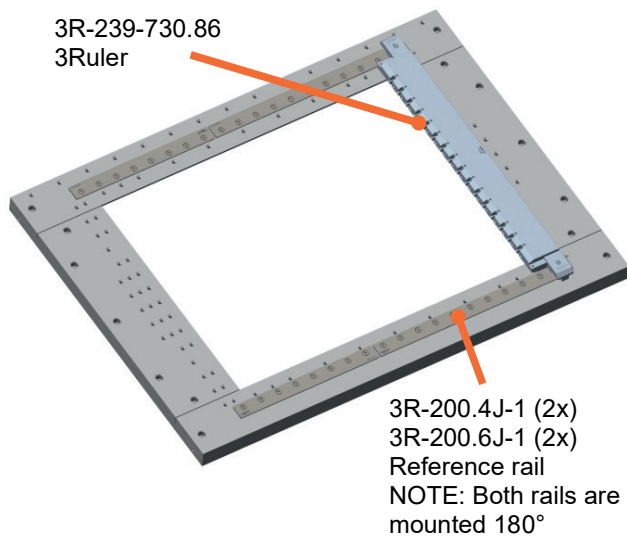
Machine table without tooling

Working area:
X: 800 mm
Y: 600 mm

Horizontal configuration

This configuration display one 3Ruler, but two cross bars may be used.

Working area:
X: 800 mm
Y: 586 mm



Vertical configuration

This configuration display one 3Ruler, but two cross bars may be used.

Working area:
X: 786 mm
Y: 600 mm

See also TPS-sheet “3R-239-xxx” covering 3Ruler and recommended accessories.

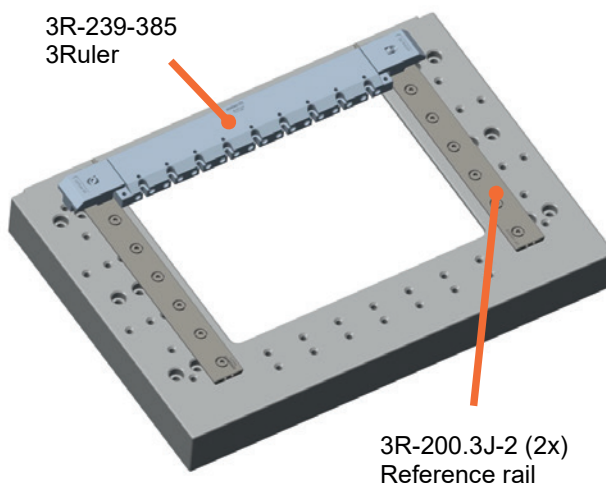
Note: The reference rail also enables the use of other products like: 3R-218-S, 3R-243.2-1 or 3R-272HP.

MIC – Machine Interface Configuration

May 15, 2019

Subject to modifications
MIC-2893

Charmilles – RoboFil 2050



Machine table without tooling

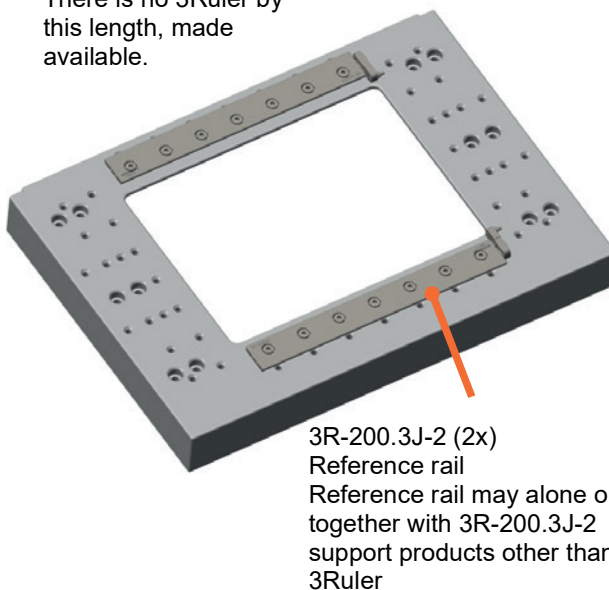
Working area:
X: xxx mm
Y: xxx mm

Horizontal configuration

This configuration display one 3Ruler, but two cross bars may be used.

Working area:
X: xxx mm
Y: xxx mm

There is no 3Ruler by this length, made available.



Vertical configuration

The table size does not enable 3Ruler along Y-axis.

Working area:
X: xxx mm
Y: xxx mm

See also TPS-sheet "3R-239-xxx" covering 3Ruler and recommended accessories.

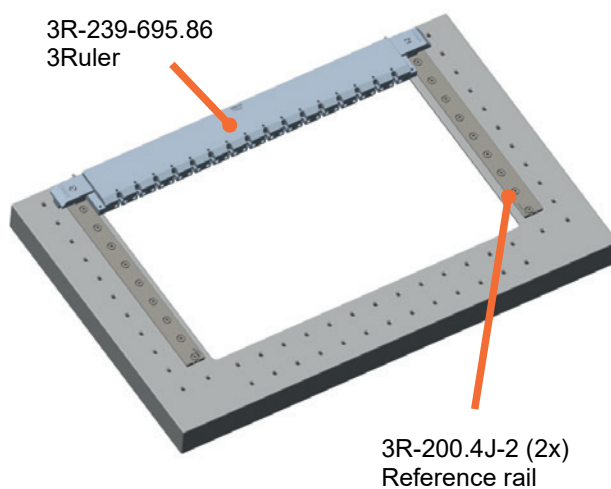
Note: The reference rail also enables the use of other products like: 3R-218-S, 3R-243.2-1 or 3R-272HP.

MIC – Machine Interface Configuration

May 15, 2019

Subject to modifications
MIC-2894

Charmilles – RoboFil 6040, 6050



Machine table without tooling

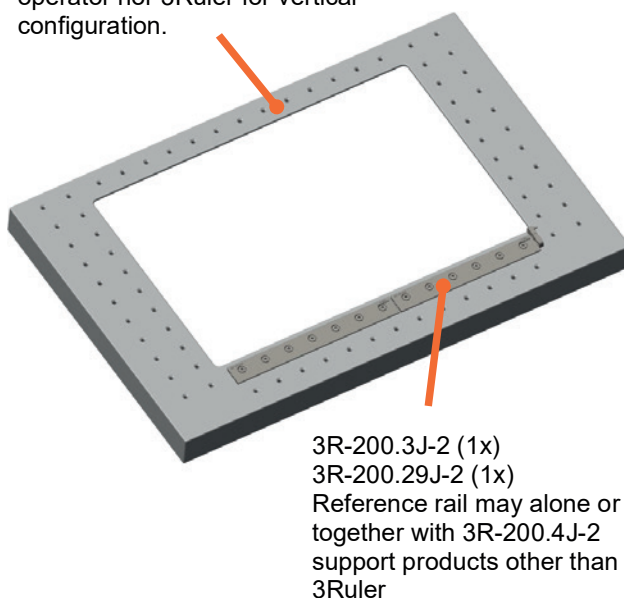
Working area:
X: 628 mm
Y: 398 mm

Horizontal configuration

This configuration display one 3Ruler, but two cross bars may be used.

Working area:
X: 628 mm
Y: 371 mm

Design of table, does not allow reference rail opposite of operator nor 3Ruler for vertical configuration.



Vertical configuration

The design of table does not support 3Ruler.

Working area:
X: 628 mm
Y: 398 mm

See also TPS-sheet "3R-239-xxx" covering 3Ruler and recommended accessories.

Note: The reference rail also enables the use of other products like: 3R-218-S, 3R-243.2-1 or 3R-272HP.

