

CHMER wire EDM's + System 3R tooling

Ledger for

EconoRulers



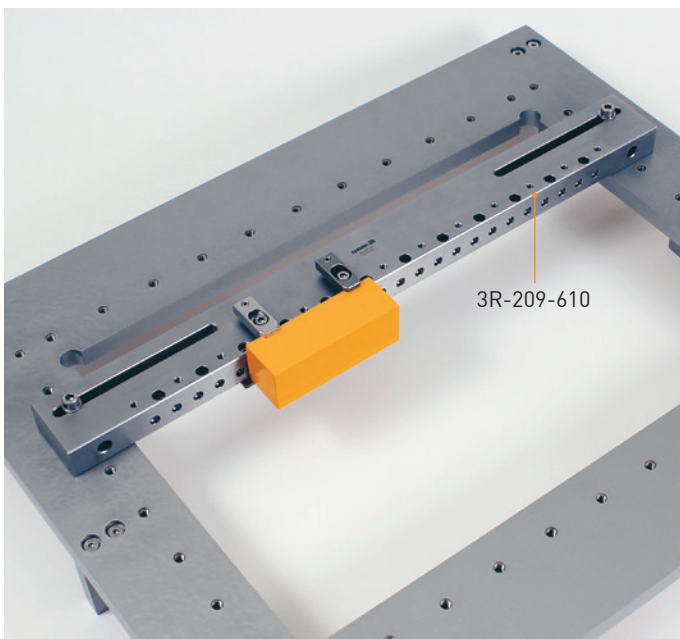
CHMER

EconoRulers are supplied by kits. For more info, look for the various TPS-sheets covering the various 3R-209-xxx kits and accessories. The EconoRulers come by four different lengths: L=350, 610, 860 and 960 mm.

Model	c-c X	Table X	3R-209-xxx	Overhang X*	c-c Y	Table Y	3R-209-xxx	Overhang Y*
A422S	500	638	610	-14	-	368	N.a.	N.a.
A422SL	500	638	610	-14	-	368	N.a.	N.a.
AW5S	660	830	860	15	-	500	N.a.	N.a.
G53F	600	738	860	61	-	518	N.a.	N.a.
G53S	600	738	860	61	-	518	N.a.	N.a.
GX430L+	500	638	610	-14	-	428	N.a.	N.a.
GX530L+	600	738	860	61	-	428	N.a.	N.a.
GX640L+	700	838	860	11	-	518	N.a.	N.a.
RX853F	890	1080	960	-60	-	690	N.a.	N.a.
RX853S	890	1080	960	-60	-	690	N.a.	N.a.

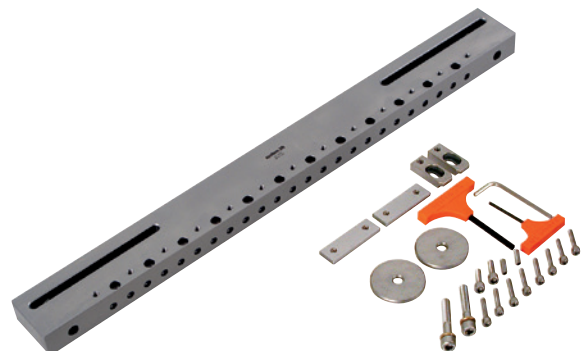
* Overhang means a stick-out of EconoRuler that may collide with tankwall (only valid if value is positive and box is colored orange). In order to solve this risk of collision, it may require the EconoRuler to be cut off.

** Dedicated bolt-slots will not match threaded hole-pattern. In order to secure EconoRuler, it requires the use of 3R-A209.



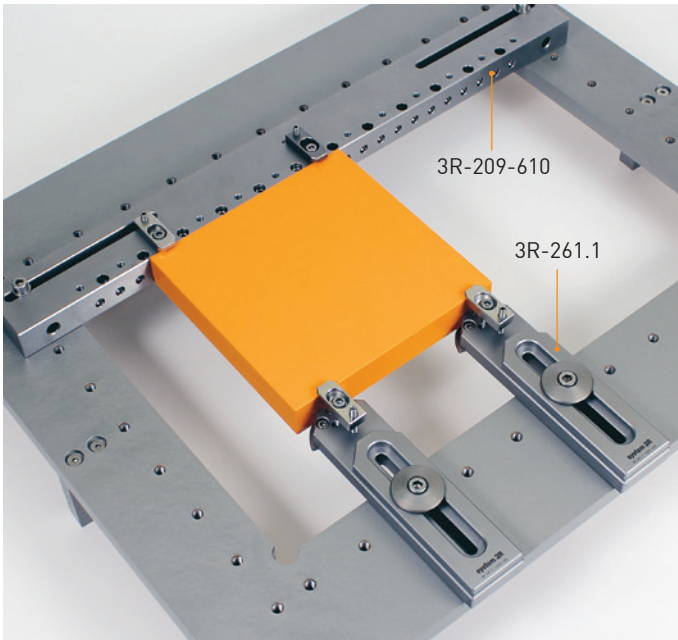
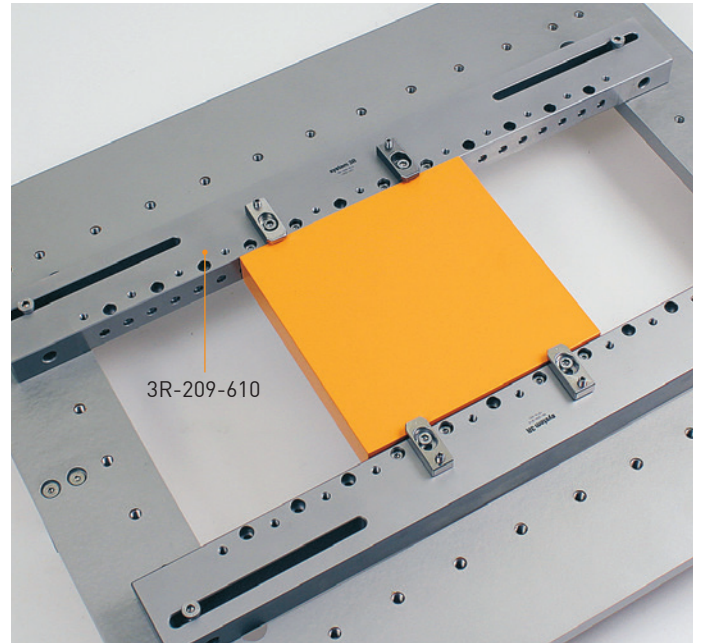
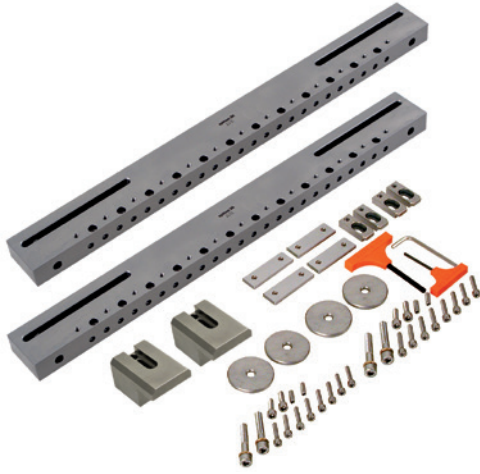
EconoRuler kit, 3R-209-XXX.1

Note: There are four different kits to choose between. 350 mm, 610 mm, 860 mm or 960 mm EconoRuler length.



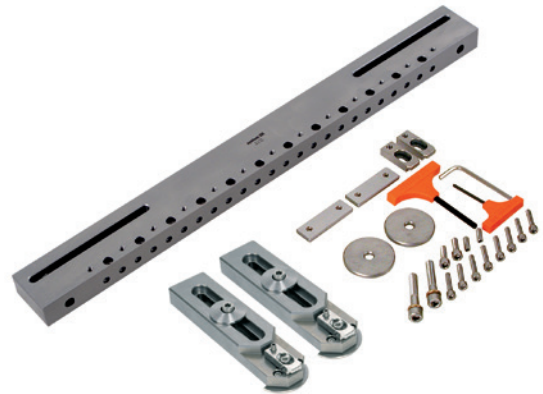
EconoRuler kit, 3R-209-XXX.2

Note: There are four different kits to choose between.
350 mm, 610 mm, 860 mm or 960 mm EconoRuler length.



EconoRuler kit, 3R-209-XXX.3

Note: There are four different kits to choose between.
350 mm, 610 mm, 860 mm or 960 mm EconoRuler length.



EconoRuler kit, 3R-209-XXX.4

Note: There are four different kits to choose between.
350 mm, 610 mm, 860 mm or 960 mm EconoRuler length.

