

Mitsubishi wire EDM's + System 3R tooling

Ledger for

EconoRulers

Older machines

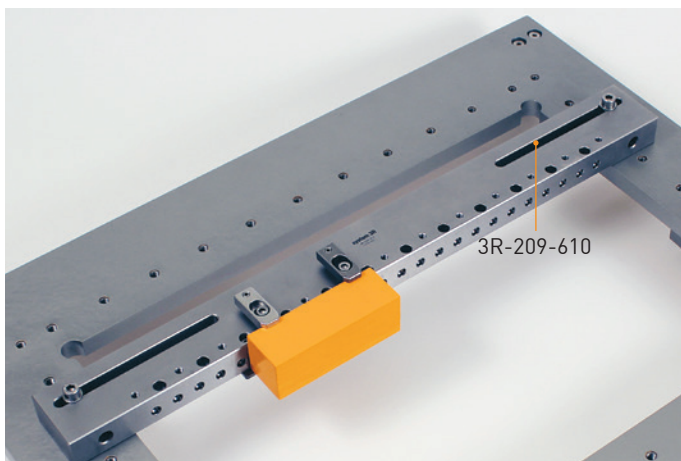


Mitsubishi

EconoRulers are supplied by kits. For more info, look for the various TPS-sheets covering the various 3R-209-xxx kits and accessories. The EconoRulers come by four different lengths: L=350, 610, 860 and 960 mm.

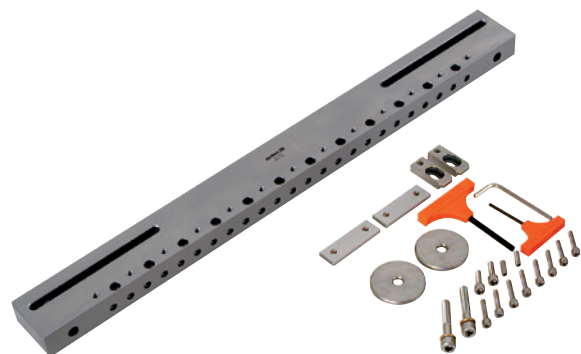
Model	c-c X	Table X	3R-209-xxx	Overhang X*	c-c Y	Table Y	3R-209-xxx	Overhang Y*
BA8	400	540	610	35	-	430	N.a.	N.a.
BA24	680	880	860	-10	500	680	610	-35
FA10 (Square) old ver.	430	630	610	-10	330	530	350	-90
FA10 (Square)	430	590	610	10	330	514	350	-82
FA10 (U-shape)	430	630	610	-10	330	530	N.a.	N.a.
FA10SM (Square) old ver.	430	630	610	-10	330	530	350	-90
FA10SM (Square)	430	590	610	10	330	514	350	-82
FA10SM (U-shape)	430	630	610	-10	330	530	N.a.	N.a.
FA20	580	780	610	-85	430	630	610	-10
FA20SM	580	780	610	-85	430	630	610	-10
FX10 (Square) old ver.	430	630	610	-10	330	530	350	-90
FX10 (Square)	430	590	610	10	330	514	350	-82
FX10 (U-shape)	430	630	610	-10	330	530	N.a.	N.a.
FX10K (Square)	430	590	610	10	330	514	350	-82
FX10K (U-shape)	430	630	610	-10	330	530	N.a.	N.a.
FX20	580	780	610	-85	430	630	610	-10
MD Pro 2	400	540	610	35	-	430	N.a.	N.a.
MD Pro 3	480	640	610	-15	380	540	610	35
NA12	480	650	610	-20	380	550	610	30
NA24	680	880	860	-10	480	680	610	-35
NA1200	480	650	610	-20	380	550	610	30
NA1200P	480	650	610	-20	380	550	610	30
NA2400	680	880	860	-10	480	680	610	-35
NA2400P	680	880	860	-10	480	680	610	-35
PA05	300	500	350	-75	-	460	N.a.	N.a.
PA10	380	550	610	30	-	465	N.a.	N.a.
PA20	580	780	610	-85	430	630	610	-10
PX05	300	500	350	-75	-	460	N.a.	N.a.
QA10	380	550	610	30	-	465	N.a.	N.a.
QA20	580	780	610	-85	430	630	610	-10
SX1	430	590	610	10	330	514	350	-82
SX10	430	590	610	10	330	514	350	-82
SX2	580	720	610	-55	430	570	610	20
SX20	580	720	610	-55	430	570	610	20

* Overhang means a stick-out of EconoRuler that may collide with tankwall (only valid if value is positive and box is colored orange). In order to solve this risk of collision, it may require the EconoRuler to be cut off.



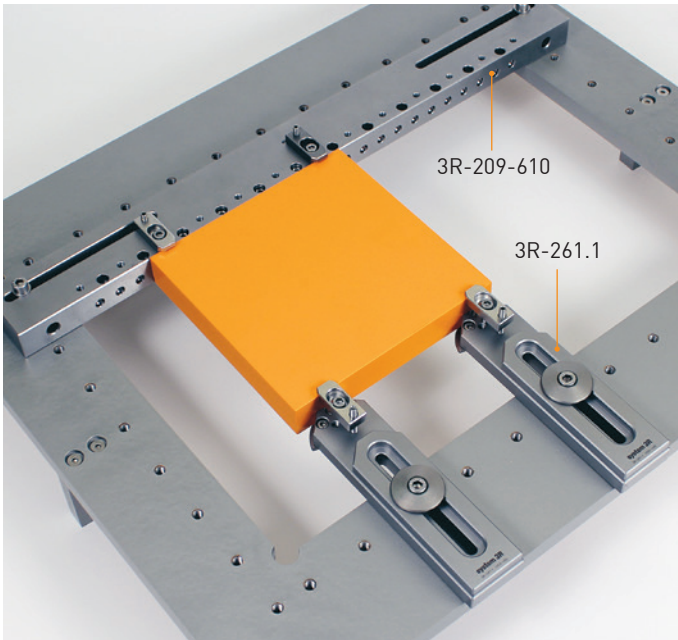
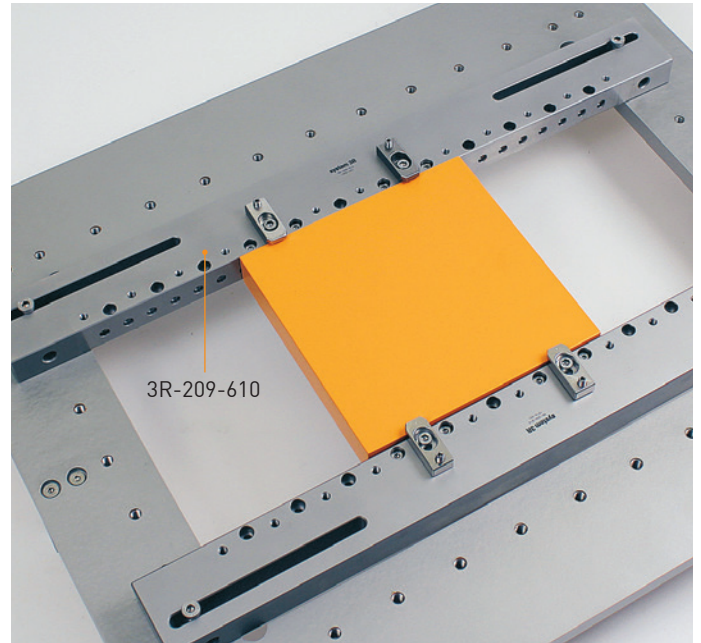
EconoRuler kit, 3R-209-XXX.1

Note: There are four different kits to choose between. 350 mm, 610 mm, 860 mm or 960 mm EconoRuler length.



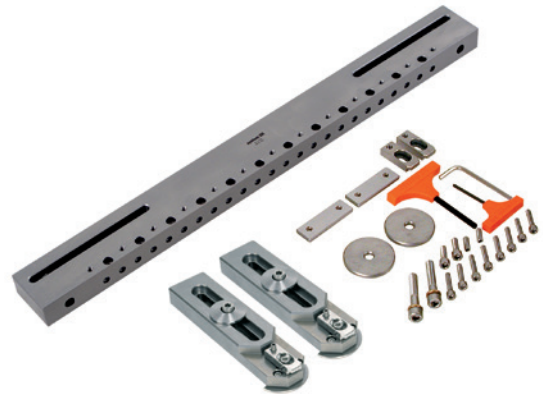
EconoRuler kit, 3R-209-XXX.2

Note: There are four different kits to choose between.
350 mm, 610 mm, 860 mm or 960 mm EconoRuler length.



EconoRuler kit, 3R-209-XXX.3

Note: There are four different kits to choose between.
350 mm, 610 mm, 860 mm or 960 mm EconoRuler length.



EconoRuler kit, 3R-209-XXX.4

Note: There are four different kits to choose between.
350 mm, 610 mm, 860 mm or 960 mm EconoRuler length.

