

Seibu wire EDM's + System 3R tooling

# Ledger for EconoRulers



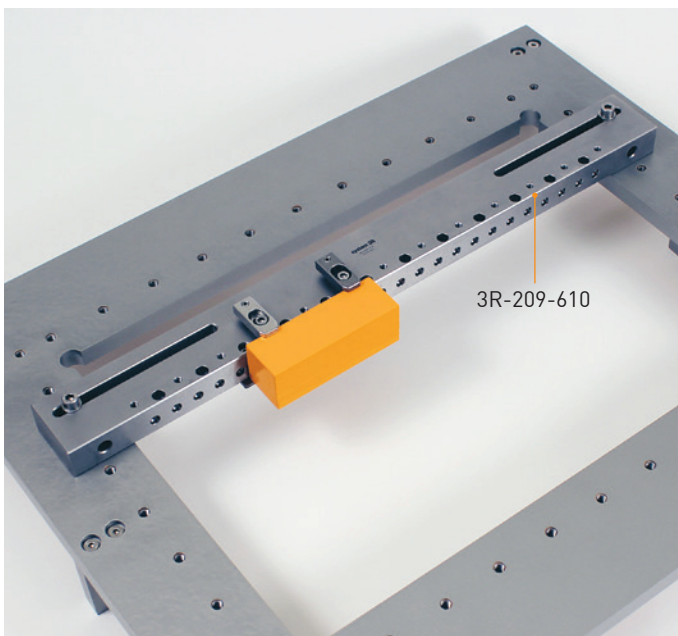
## Seibu

EconoRulers are supplied by kits. For more info, look for the various TPS-sheets covering the various 3R-209-xxx kits and accessories. The EconoRulers come by four different lengths: L=350, 610, 860 and 960 mm.

Model	c-c X	Table X	3R-209-xxx	Overhang X*	c-c Y	Table Y	3R-209-xxx	Overhang Y*
M25LP	330	520	350	-85	334	450	610	80
M35B	426	622	610	-6	-	479	N.a.	N.a.
M50B	575	780	610	-85	-	560	N.a.	N.a.
M75B	830	1050	860	-95	-	717	N.a.	N.a.
MM35B	426	622	610	-6	330	477	350	-63.5
MM50B	574	780	610	-85	430	560	610	25
MM75B	830	1050	860	-95	580	717	610	-53.5
MM80B	880	1100	960	-70	680	817	860	21.5
UMM50B	574	780	610	-85	430	560	610	25

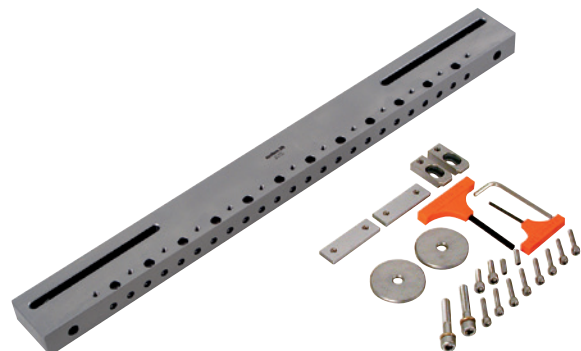
\* Overhang means a stick-out of EconoRuler that may collide with tankwall (only valid if value is positive and box is colored orange). In order to solve this risk of collision, it may require the EconoRuler to be cut off.

\*\* Dedicated bolt-slots will not match threaded hole-pattern. In order to secure EconoRuler, it requires the use of 3R-A209.



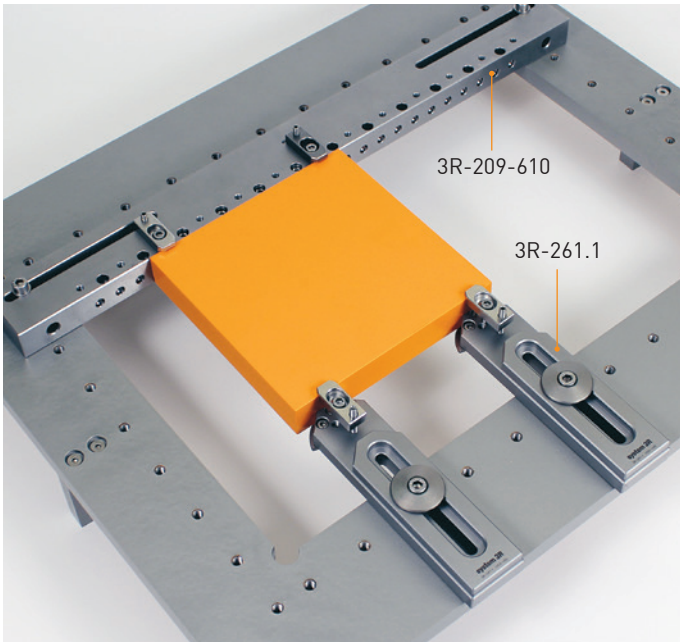
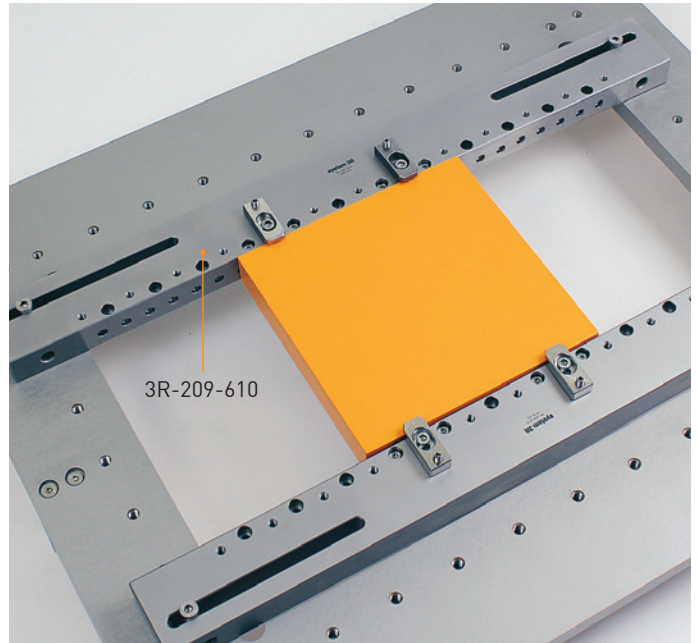
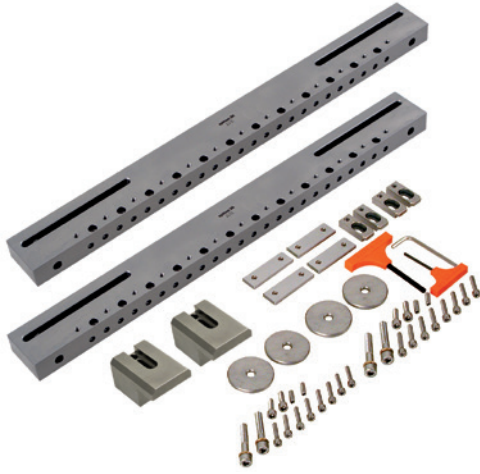
### EconoRuler kit, 3R-209-XXX.1

Note: There are four different kits to choose between. 350 mm, 610 mm, 860 mm or 960 mm EconoRuler length.



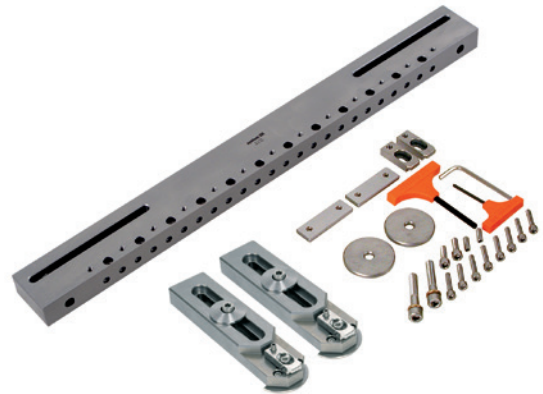
### EconoRuler kit, 3R-209-XXX.2

Note: There are four different kits to choose between.  
350 mm, 610 mm, 860 mm or 960 mm EconoRuler length.



### EconoRuler kit, 3R-209-XXX.3

Note: There are four different kits to choose between.  
350 mm, 610 mm, 860 mm or 960 mm EconoRuler length.



### EconoRuler kit, 3R-209-XXX.4

Note: There are four different kits to choose between.  
350 mm, 610 mm, 860 mm or 960 mm EconoRuler length.

